

Movax SG-50V



Description:

The Movax is capable of handling, pitching and driving all forms of piles without the need for manual handling. The pile is set to level and installed to a laser line.

Sheet Piles up to 14m in length are easily handled due to the hammers side grip ability. This also makes the Movax the perfect installation method for limited access or limited head room piling schemes.

Pre-augering can also be done (separate unit) to loosen the soil and reduce ground vibration.

Benefits:

MOVAX side grip pile drivers are the optimum solution to handle, pitch, drive and extract piles without the need of manual handling or assisting machinery. The use of MOVAX's side-grip technology leads to higher productivity and significant cost savings.

- **Suitable for a wide range of piles and a wide variety of site and soil conditions:** especially suitable when limited space or access is restricted.
- **Fast and efficient:** handling, pitching, driving and extraction of piles
- **Flexible:** due to Movax modular system (MMS™). The same unit can be utilized for multiple tasks and different type of piles
- **Easy-to-operate:** with Movax Control System (MCS™)
- **Precise and accurate pile driving**
- **Durable:** designed for long continuous operation, constructed using quality materials and parts



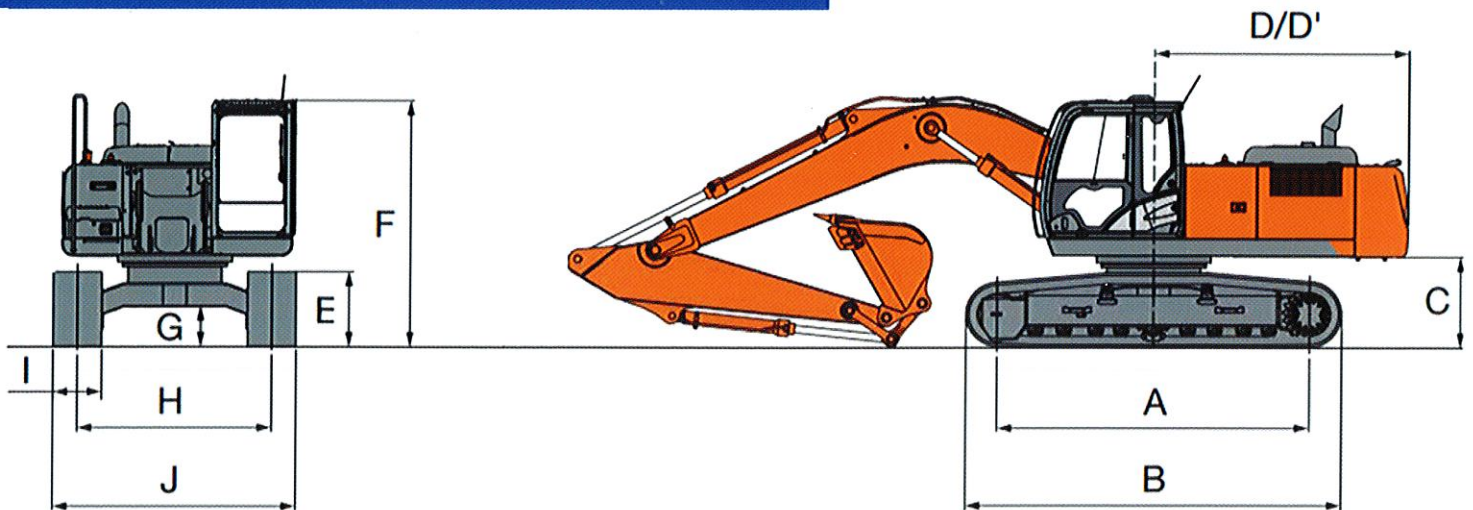
Sheet Piling, Construction
& Professional Design
Services

Unit 7,
The Oaks Business Village
Revenge Road,
Lordswood,
Kent,
ME5 8LF

TEL: 01622 794460

enquiries@berryrange.com
www.berryrange.com





Hitachi ZAXIS 250LC

A Distance between tumblers	3845
B Undercarriage	4640
C Counterweight clearance length	1080
D Rear-end swing radius	3140
D' Rear-end length	3140
E Track height with triple grouser shoes	2870
F Overall height of cab	3010
*G Min. ground clearance	460
H track gauge	2590
I Track shoe Width	G 800
J undercarriage width	3390
Arm Length	2.98m
Weight	26.1 tonnes

Movax SG-50V

Weight (excl. adapter)	2680 kg
Width	1193 mm
Centrifugal force, max	500 kN
Depth	1180 - 1436 mm
Driving method	Vibration
Eccentric moment	5.1 kgm
Engine power, min	125 kgm
Frequency	2300 - 3000 1/min
Ground vibration	Low
Pressure setting	350 bar
Resonance-free start/stop	Yes
Return pressure, max	5 bar
Side tilt angle	+/- 0
Swing angle	+/- 360
Tilt angle	+/- 30
Max. push/pull	80 kN

